

Stainless Steel Cartridge Housing

Tema cartridge housings offer outstanding durability and corrosion resistance for wide variety of industrial and commercial applications. Constructed from stainless steel 304 or 316L, these housings accept a wide variety of cartridge types. This gives the user flexibility to choose the number, type and size of cartridges needed for chemical compatibility and particle retention.



Specification

- material is made of SUS 304 or SUS 316
- maximum working pressure ranges from 100 psi to 150 psi
- non-single element fixed or single element fixed type
- polished or matte finish surface

Features

- well-sealed, easy operation
- high filtration efficiency
- filter cartridge can be easily replaced
- premium quality, long-life use

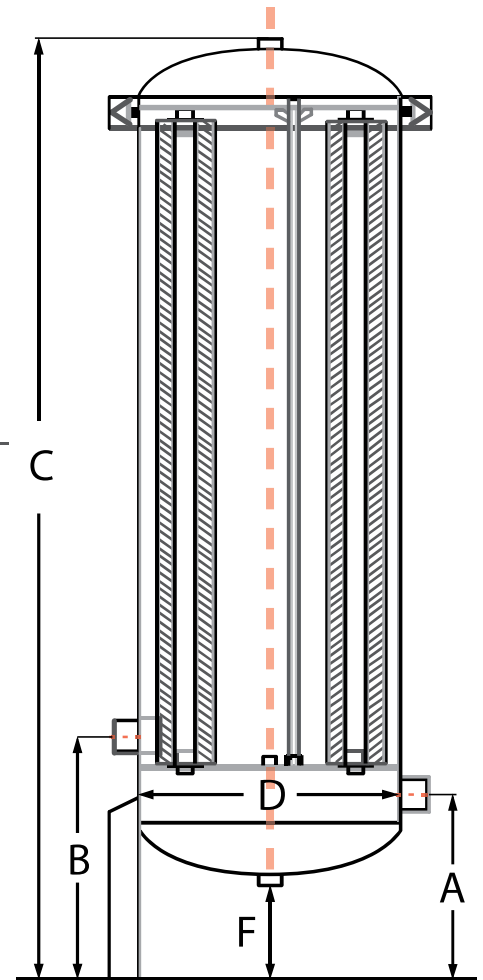
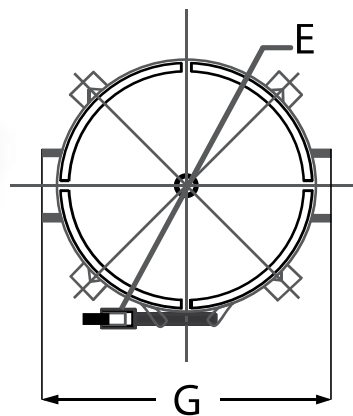
Applications

- Water
- General Industrial
- Chemical
- Oil and Gas
- Commercial



Stainless Steel Cartridge Housing

CFS2 Model Series



Specification

- Material : SUS304, SUS316
- Maximum working pressure : 100 psi
- Surface finish : polished finish surface, matt finish surface

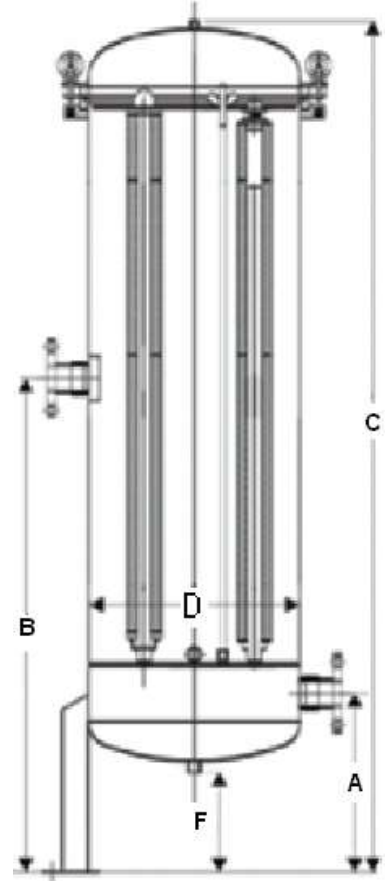
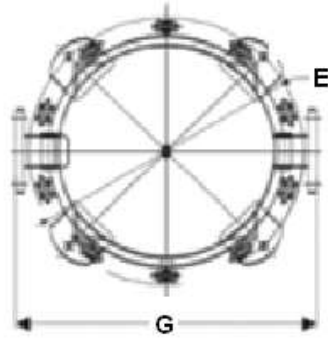
Technical Parameter

Model	A	B	C	D	E	F	G	In/Out	Drain
CFS2-E5S20	190	290	830	Ø195	Ø250	100	260	1-1/2"	1/2"
CFS2-E5S40	190	290	1370	Ø195	Ø250	100	260	2"	1/2"
CFS2-E7S20	220	310	840	Ø230	Ø300	100	310	2"	1/2"
CFS2-E7S40	220	310	1380	Ø230	Ø300	100	310	2-1/2"	1/2"

* Above price is for CFS2 model SUS304 material only. SUS316L material price is available upon request.

Stainless Steel Cartridge Housing

CFS4 Model Series



Specification

- Material : SUS304, SUS316L
- Maximum working pressure : 150 psi
- Surface finish : polished finish surface, matt finish surface

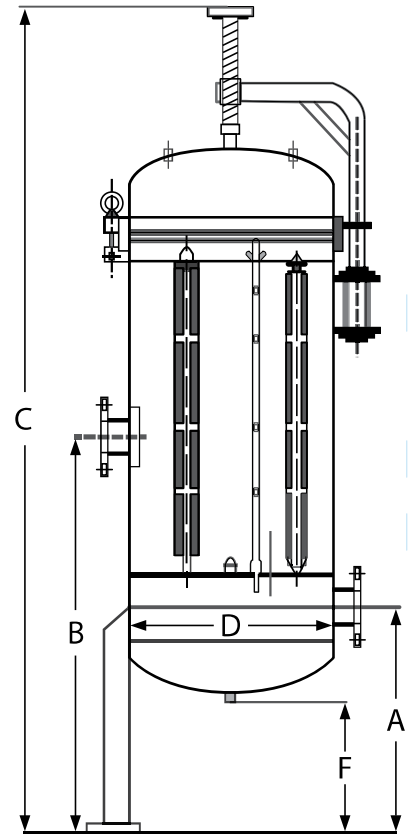
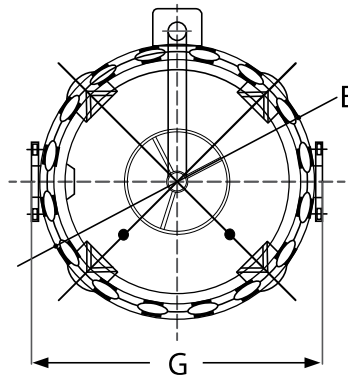
Technical Parameter

Model	A	B	C	D	E	F	G	In/Out	Drain
CFS4-E7S40	300	800	1550	Ø230	Ø250	150	390	2"	1/2"
CFS4-E11S40	360	900	1620	Ø300	Ø300	200	440	3"	3/4"
CFS4-E15S40	380	900	1660	Ø325	Ø350	200	530	3"	3/4"
CFS4-E19S40	400	900	1700	Ø377	Ø400	200	560	4"	3/4"
CFS4-E27S40	460	1000	1770	Ø450	Ø450	250	630	4"	3/4"

* Above price is for CFS4 model SUS304 material only. SUS316L material is available upon request.

Stainless Steel Cartridge Housing

CFS5 Model Series



Specification

- Material : SUS304, SUS316L
- Maximum working pressure : 150 psi
- Surface finish : polished finish surface, matt finish surface

Technical Parameter with

Model	A	B	C	D	E	F	G	In/Out	Drain
CFS5-E27S40	400	1100	1930	Ø450	Ø450	250	610	4"	3/4"

* Above price is for CFS5 model SUS304 material only. SUS316 material is available upon request.

Model Specification

Ex : CFS2 - E5S20

